



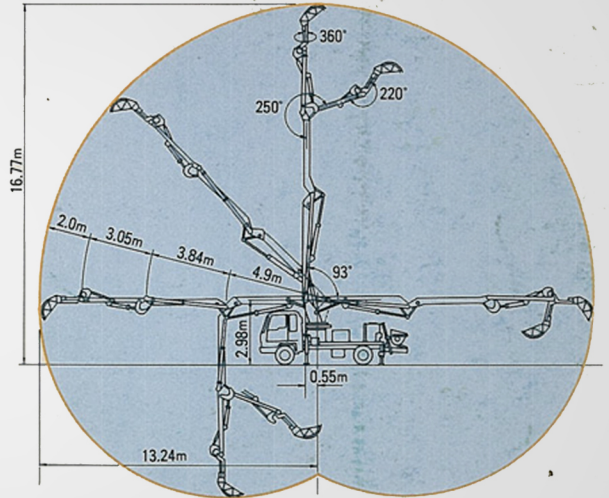
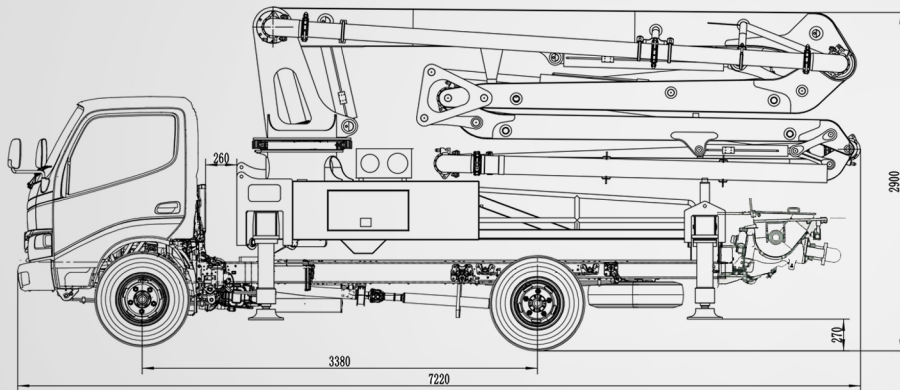
FARRASINDO GROUP

MINI CITI PUMP 8E-20/4



SCAN DISINI

- Dimensions



Jl. Raya Srengseng No.41 A-B
Srengseng, Kembangan, Jakarta Barat
DKI Jakarta, INDONESIA 11630
(+62 21) 587 0525
(+62 21) 589 02871 / (+62 21) 597 0538
www.farrasindo-cp.co.id
www.intijaya-parts.com

CONCRETE PUMP



MINI CITI PUMP 8E-20/4

Main Features

- Compact in design, 20m pump mounted on 2-axle truck.
- Efficient pump unit, ideal for long time use.
- Agile placing boom with 4 arms gives a wide work range.
- One side lateral support enables to work in narrow sites.
- Controller is designed for heavy duty use, with a monitor, it monitors the pump intelligently on working data management, real-time diagnostics, alarm logging, and service interval notice.
- Rich in configurations and high quality components.

Standard Supply

- Remote control with cable
- Pneumatic auto lubrication on mixing and pumping unit
- Controller with touch screen panel
- Optimized hopper with agitator
- Special alloy wearing plate and cutting ring
- Long life delivery pipeline
- High pressure water pump



Optional

- Other configuration on demand & color painting
- Can match the chassis according to customer's requirement

| Distribution valve | S-valve | |
|-----------------------|--------------------|---------|
| Max. Concrete Output | m ³ /h | 40/80/h |
| Delivery Cylinder | mm | 200 |
| Stroke Length | mm | 1.100 |
| Strokes | 1/min | 24/14 |
| Hopper Capacity | L | 550 |
| Feeding Height | mm | 1100 |
| Hydraulic System | Open Loop | |
| Hydraulic oil cooling | Double fans | |
| Lubrication on pump | Automatic | |
| Lubrication on hopper | Automatic | |
| Chassis Model | ISUZU NMR - HD 5.8 | |
| Wheel Base | 3740mm | |
| Total Weight | 8T | |

| Boom Control Valve | Proportional | |
|-----------------------|----------------|----|
| Number of Arms | | 4 |
| Folding System | | RZ |
| Max. Reach Vertical | m | 20 |
| Max. Reach Horizontal | m | 17 |
| End Hose Length | m | 3 |
| Pipeline | DN125/5.5 | |
| Slewing Range | ± 270° | |
| Remote Control System | Radio | |
| Water Pump | 20L/min, 60bar | |

Jl. Raya Srengseng No.41 A-B
 Srengseng, Kembangan, Jakarta Barat
 DKI Jakarta, INDONESIA 11630

(+62 21) 587 0525

(+62 21) 589 02871 / (+62 21) 597 0538

www.farrasindo-cp.co.id
 www.intijaya-parts.com

CONCRETE PUMP